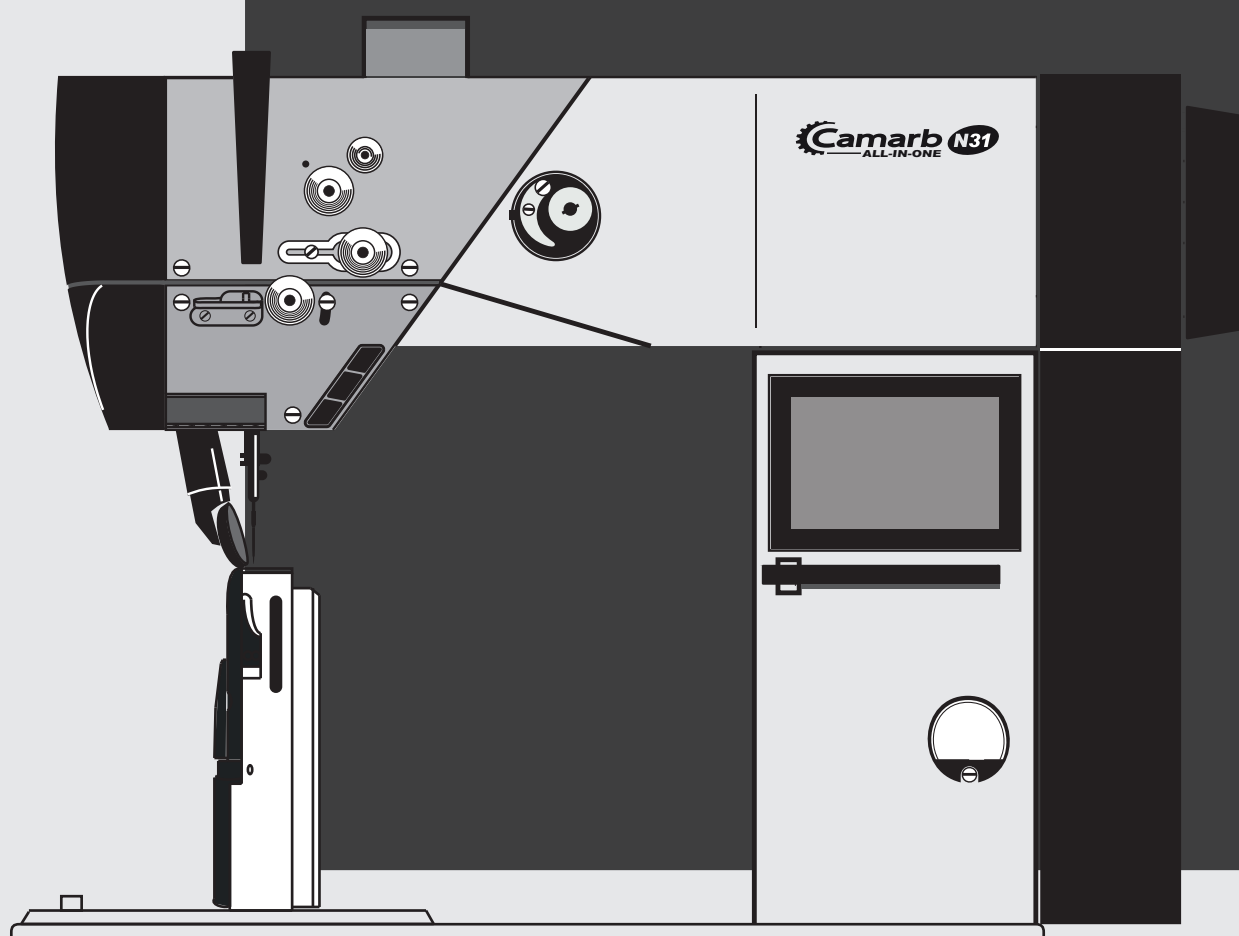




CATALOGO RICAMBI

SPARE PARTS LIST

N31E-C997-CP-RC-V2  
ALL-IN-ONE



# INDICE - INDEX - TABLE - INDICE

---

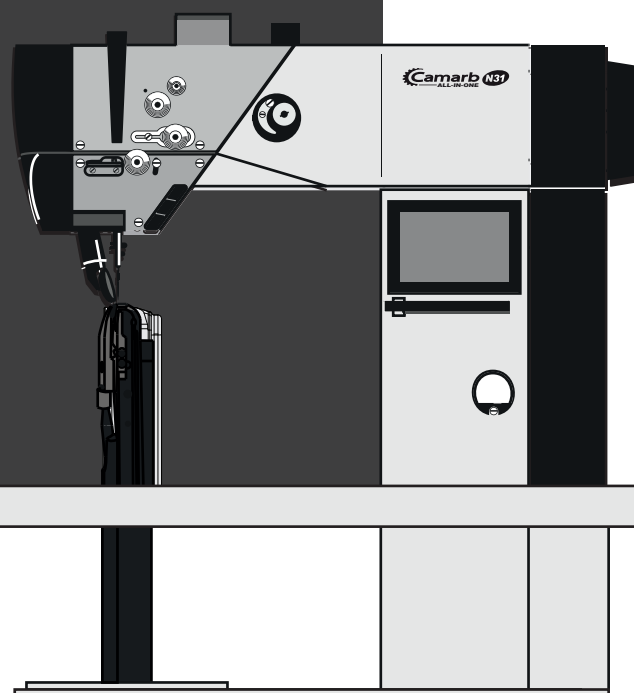
01	PEZZI DELLA MACCHINA	
	<i>MACHINE PARTS</i>	
	<i>PIECES DA LA MACHINE</i>	
	<i>PIESE PENTRU MASINA.....</i>	<i>PAG. 01 - 18</i>

---

02	LISTA CODICI	
	<i>CODE LIST</i>	
	<i>LISTE DE CODES</i>	
	<i>LISTA CU CODURI.....</i>	<i>PAG. 20 - 24</i>



**Camarb**  
professional sewing machines



## **PER ORDINI URGENTI**

*For urgents orders*  
*Pour des ordres urgents*  
*Pe bazà de comandà urgentà*

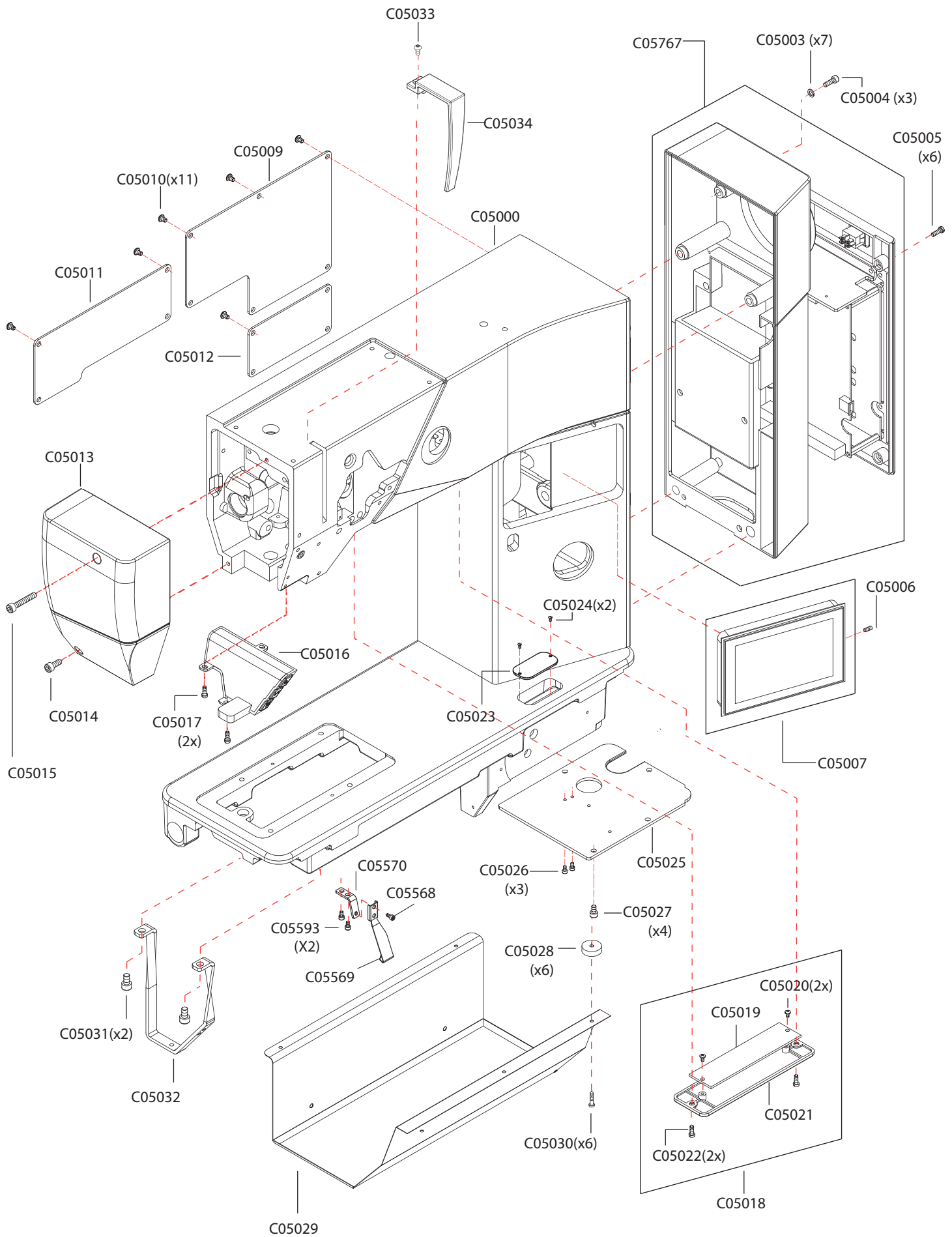
**Mail** *ricambi@bramac.it*  
**Phone** *+ 39.0734.890103*  
*+ 39.0734.890912*

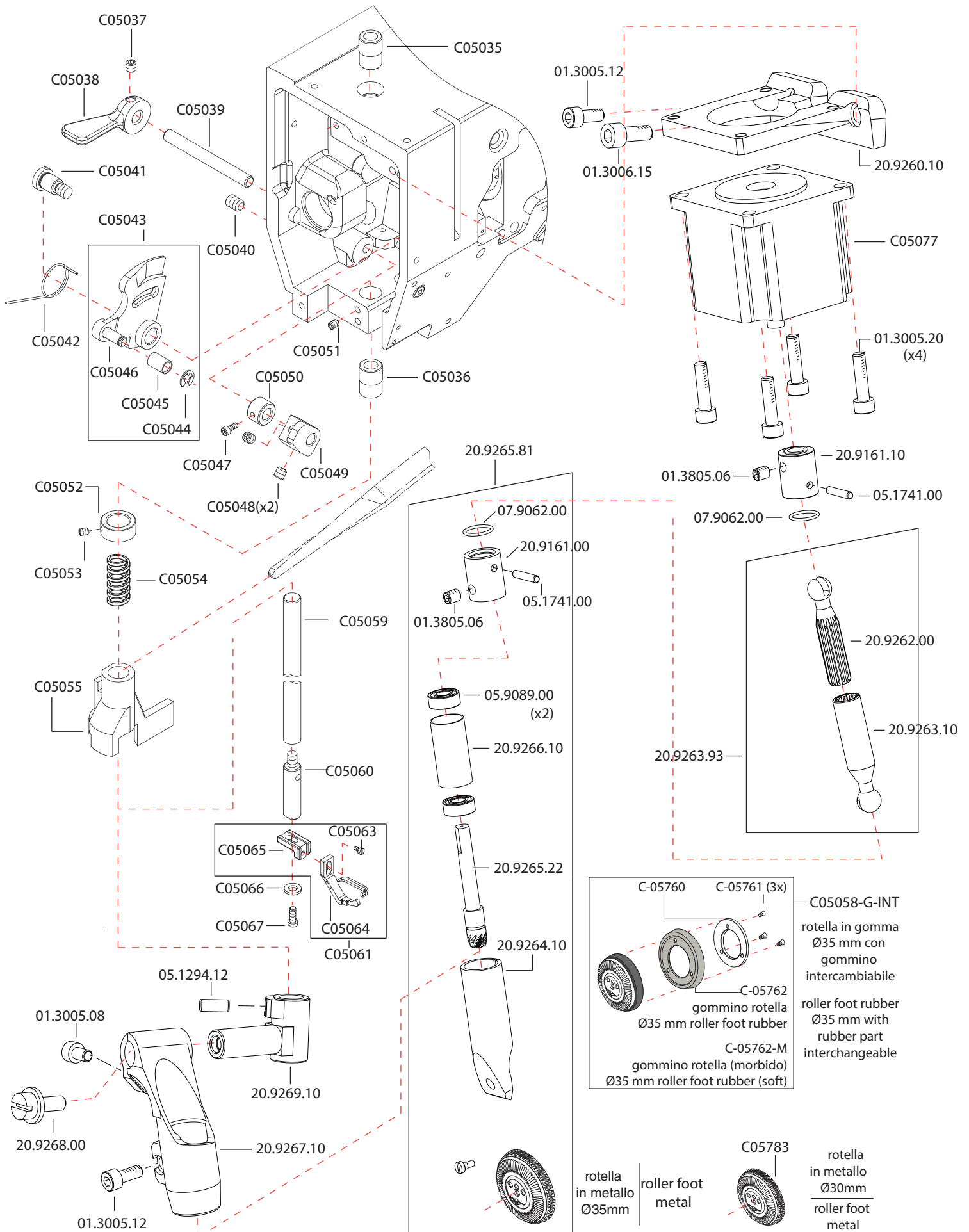
La ristampa, la riproduzione e la traduzione, anche di singoli passi, di manuali Camarb sono consentite solo attraverso nostra autorizzazione e con indicazione dell'origine.

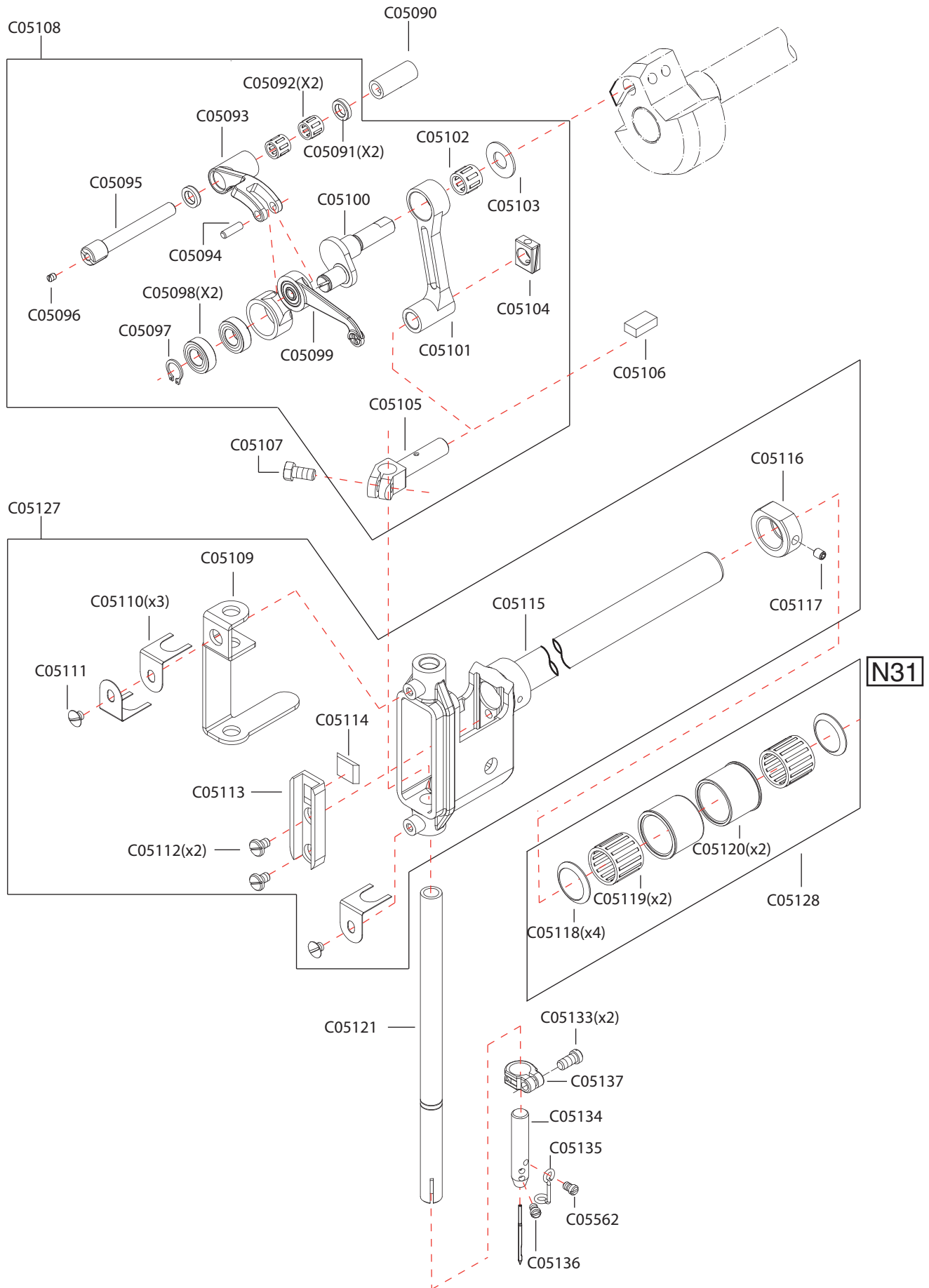
---

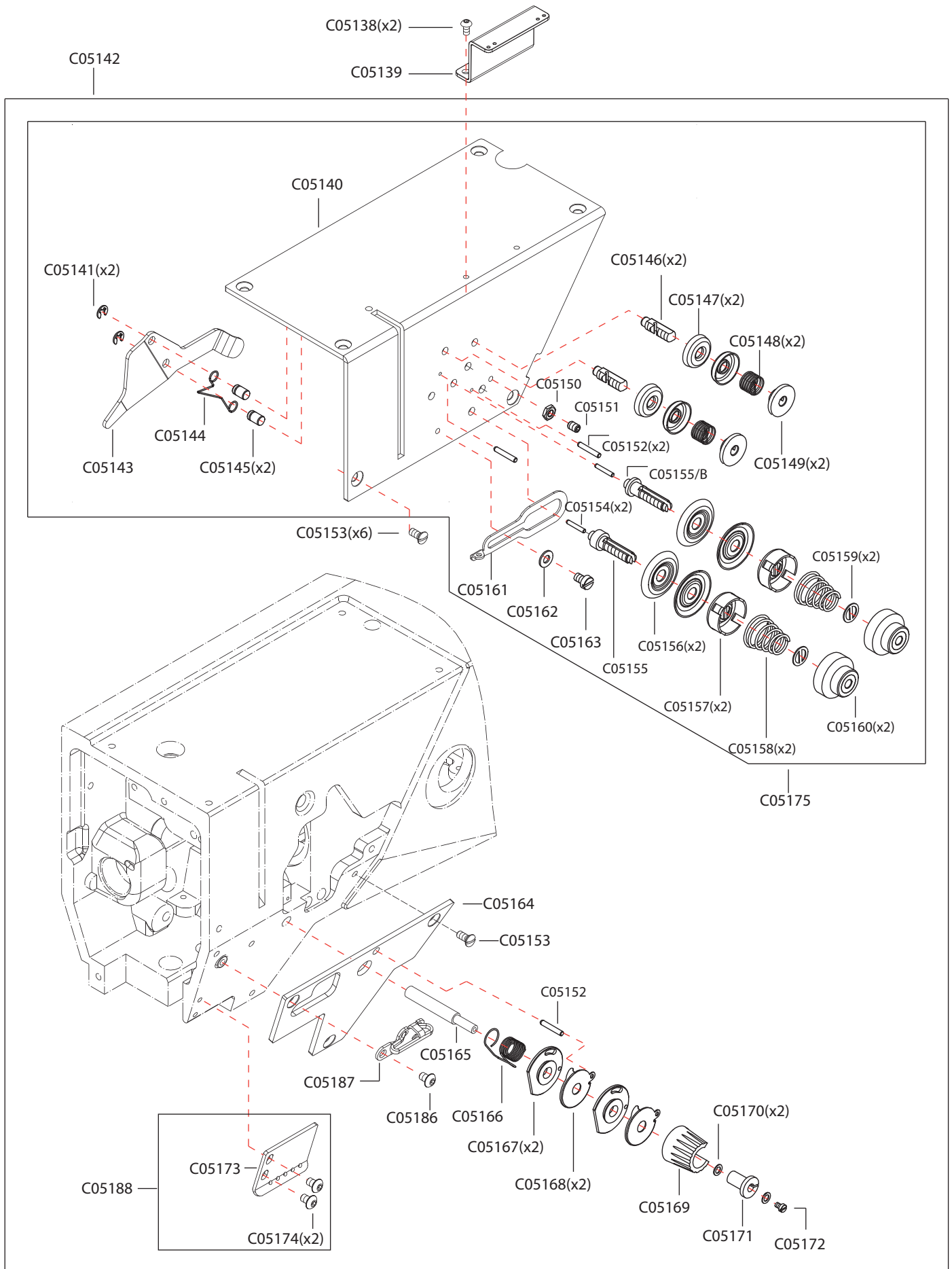


Via Alpi, 149-151-153  
Zona industriale Villa Luciani  
63812 Montegranaro (FM) Italy  
Phone: +39.0734.890103 - 890912  
Fax: +39.890154  
[www.bramac.it](http://www.bramac.it)  
[bramac@bramac.it](mailto:bramac@bramac.it)

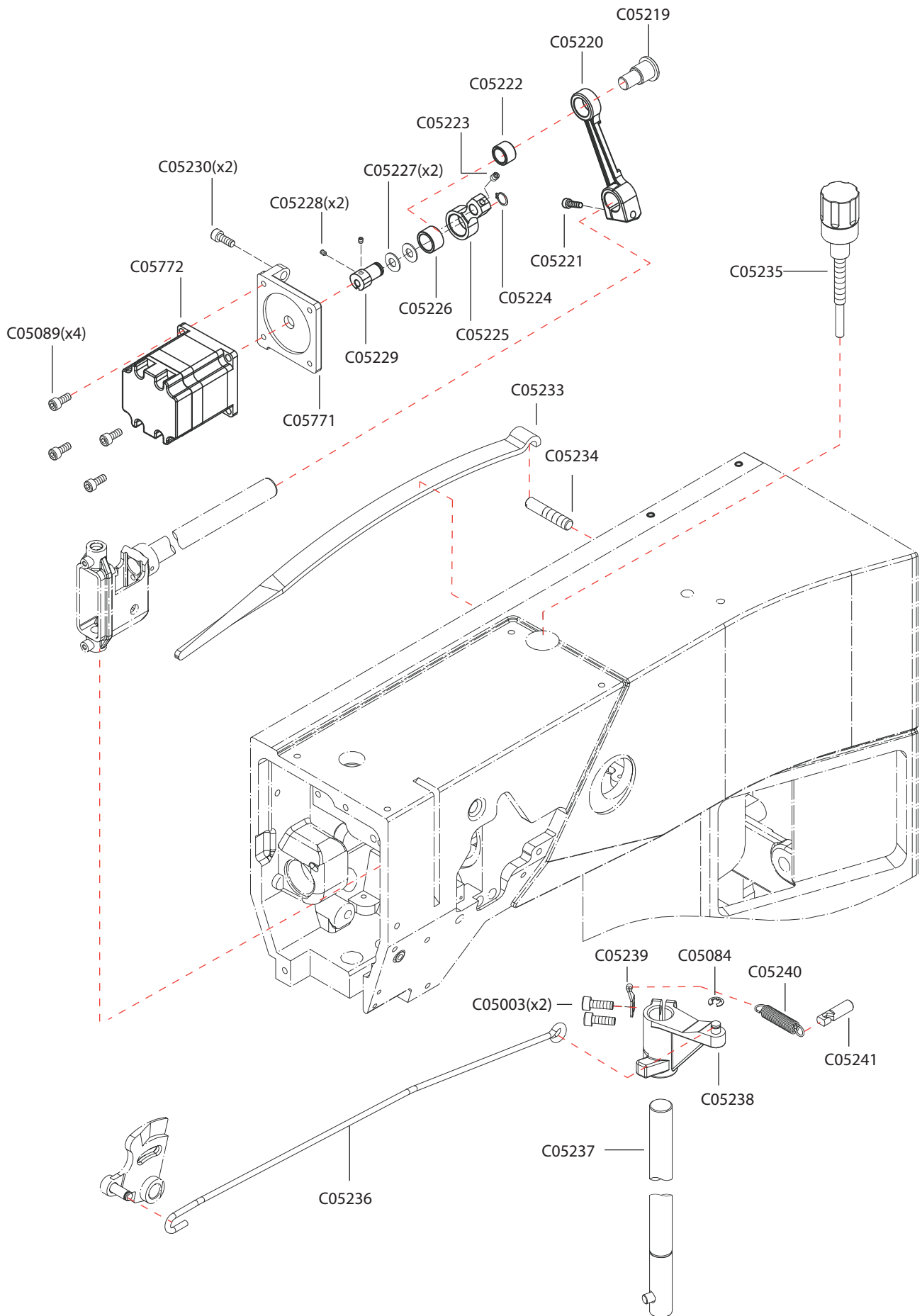


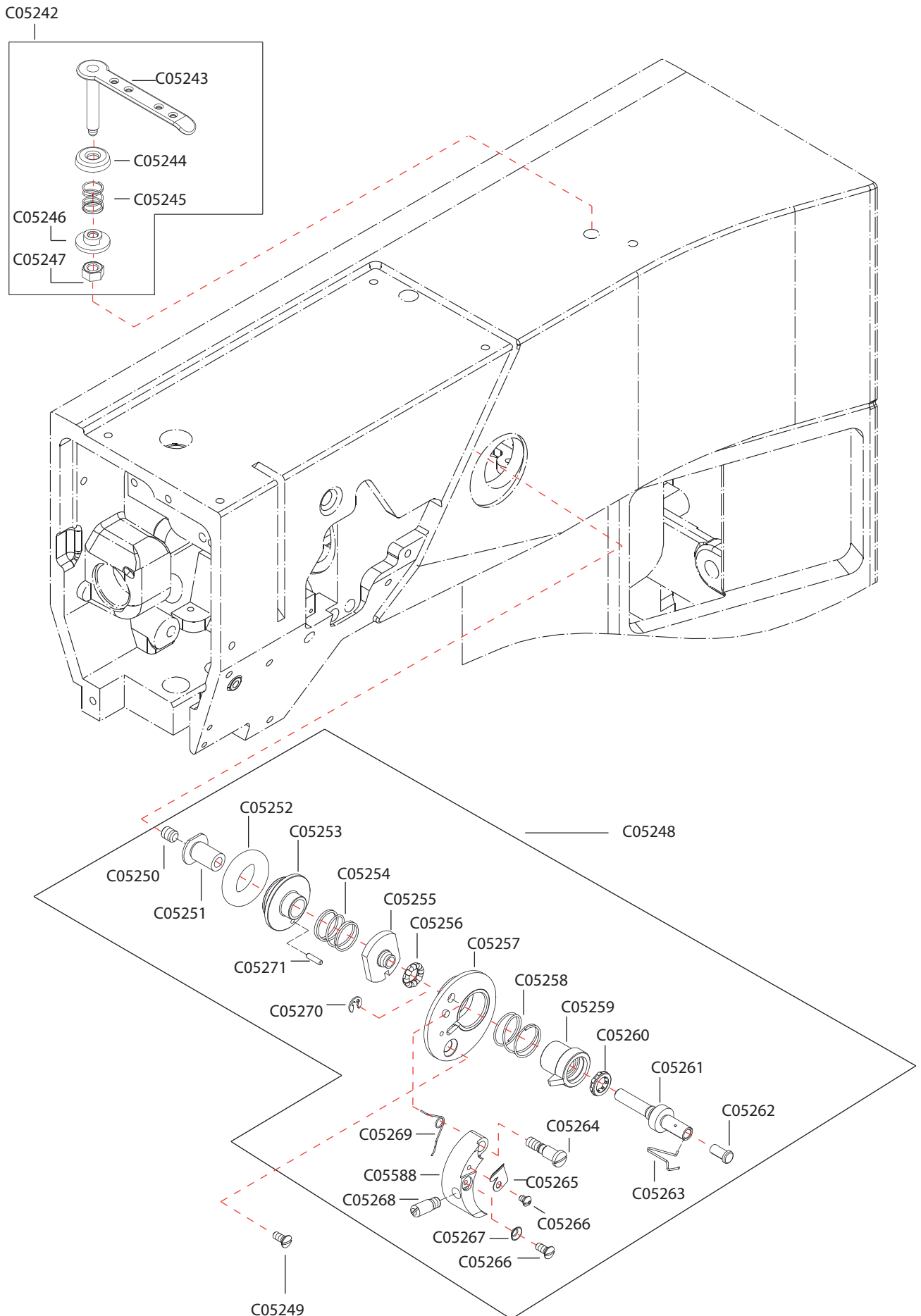




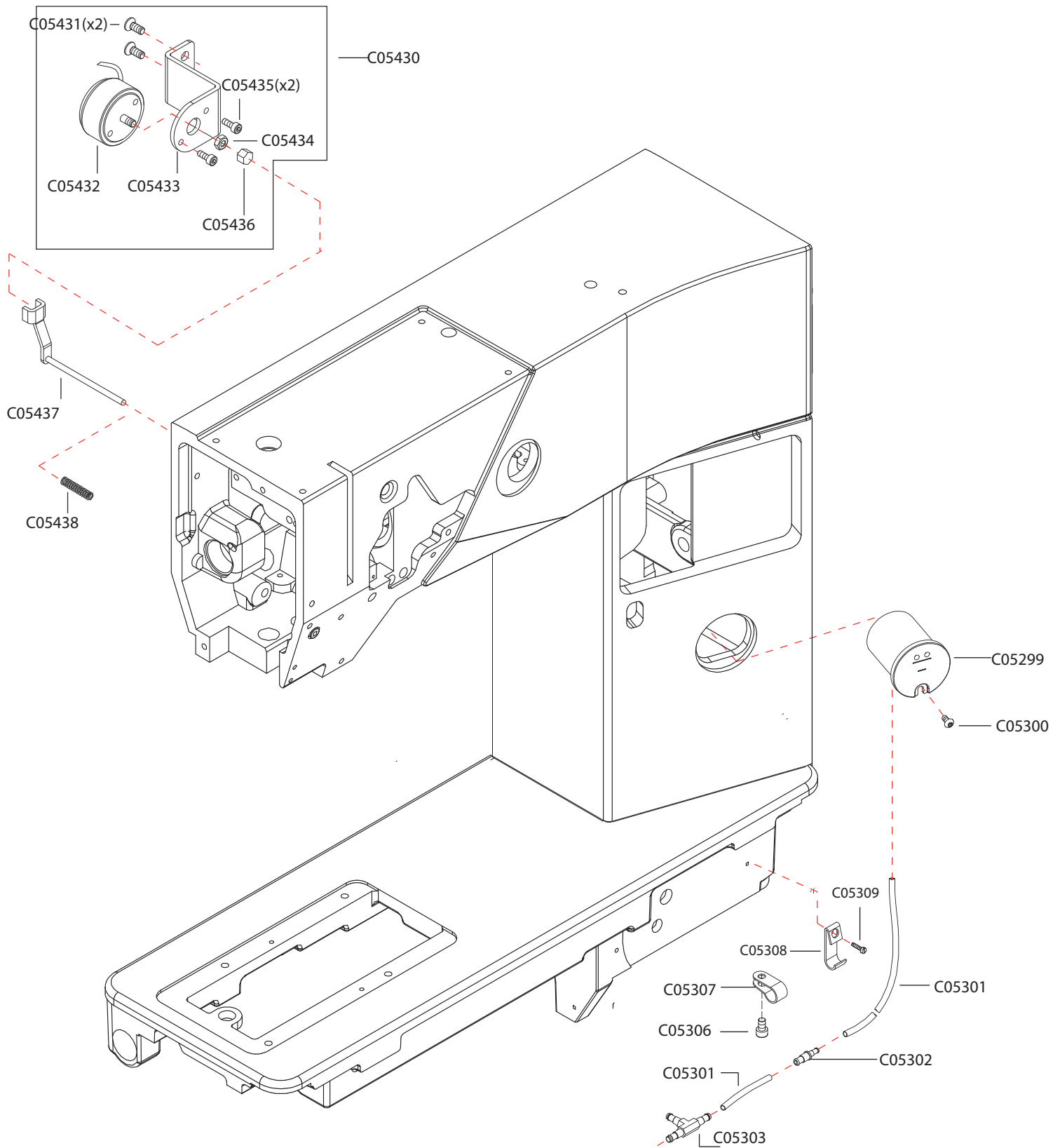


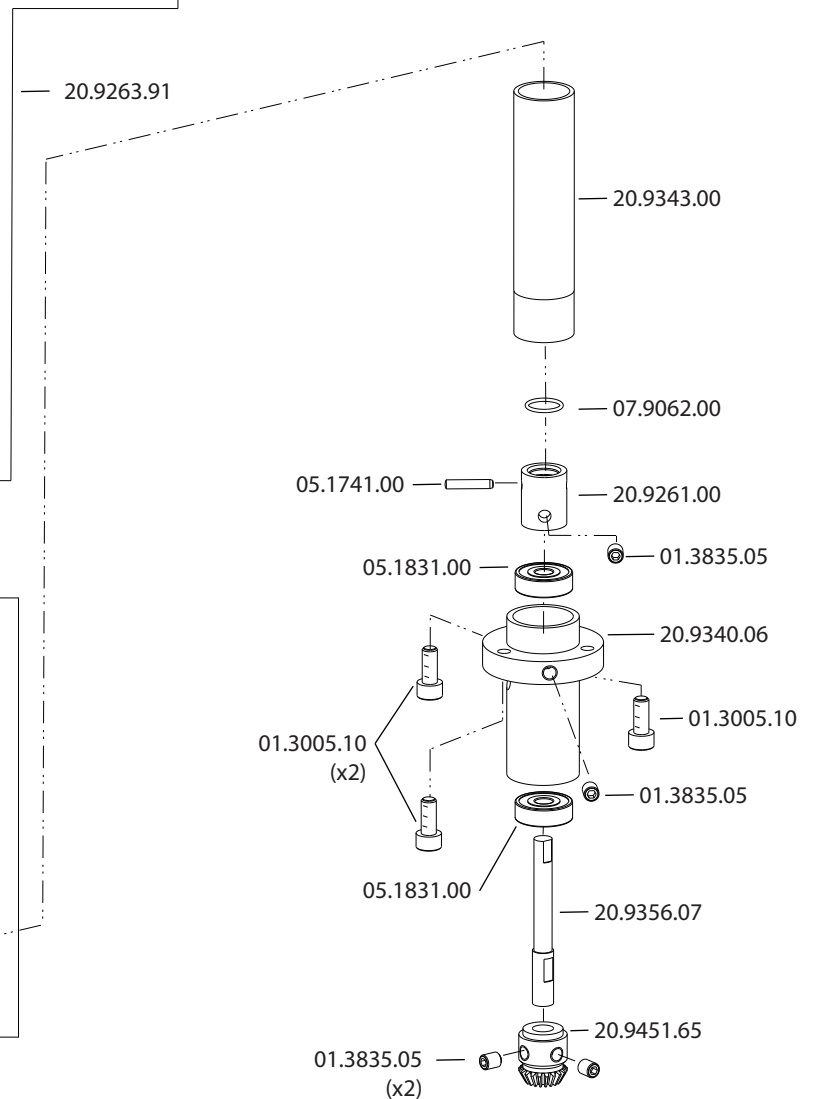
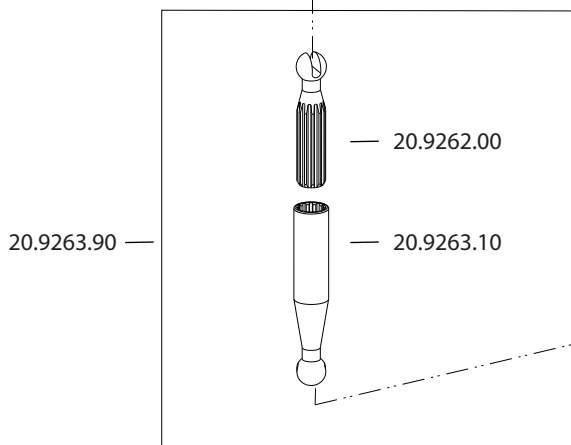
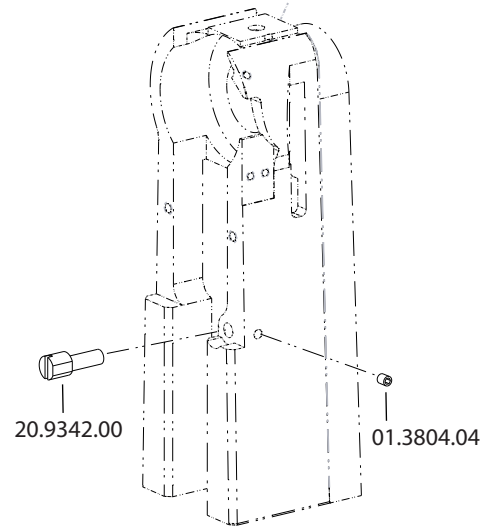
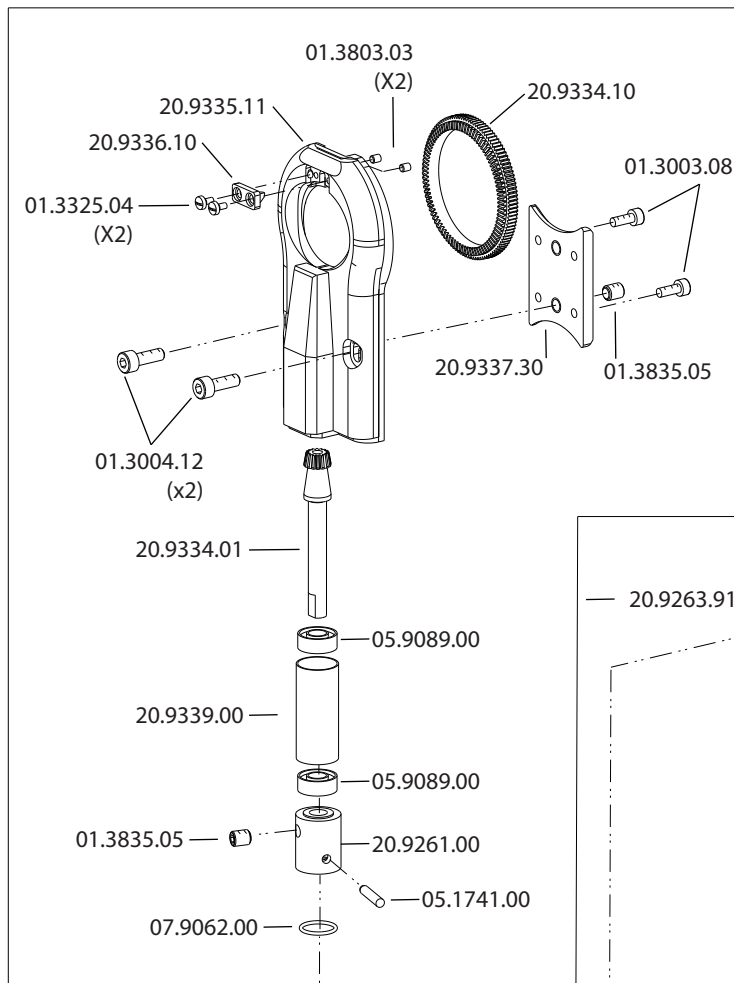


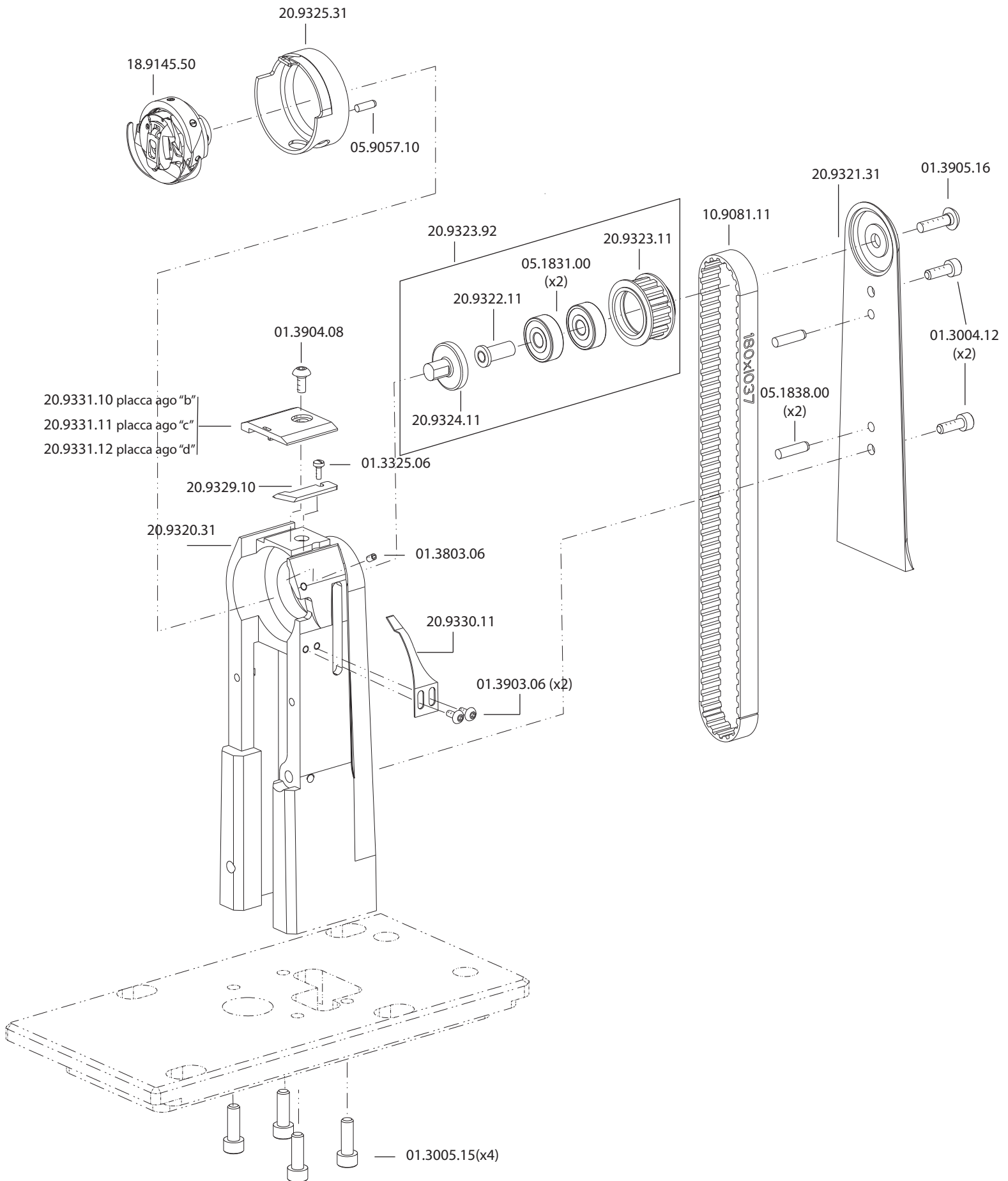




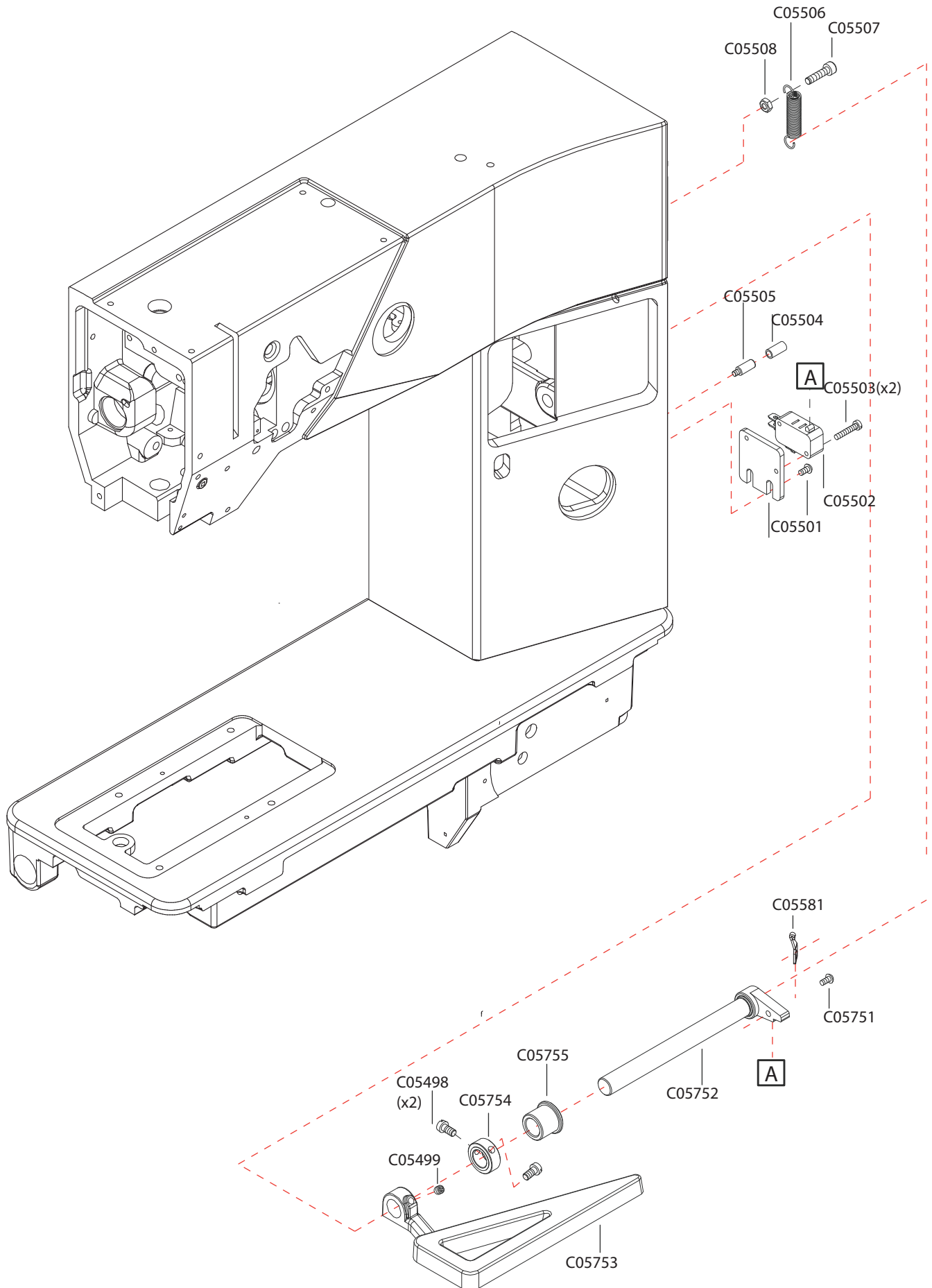


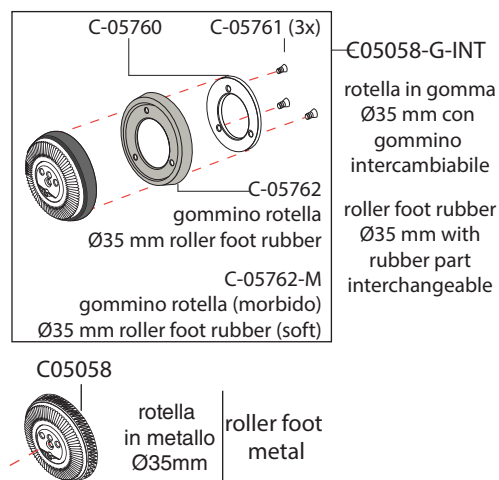
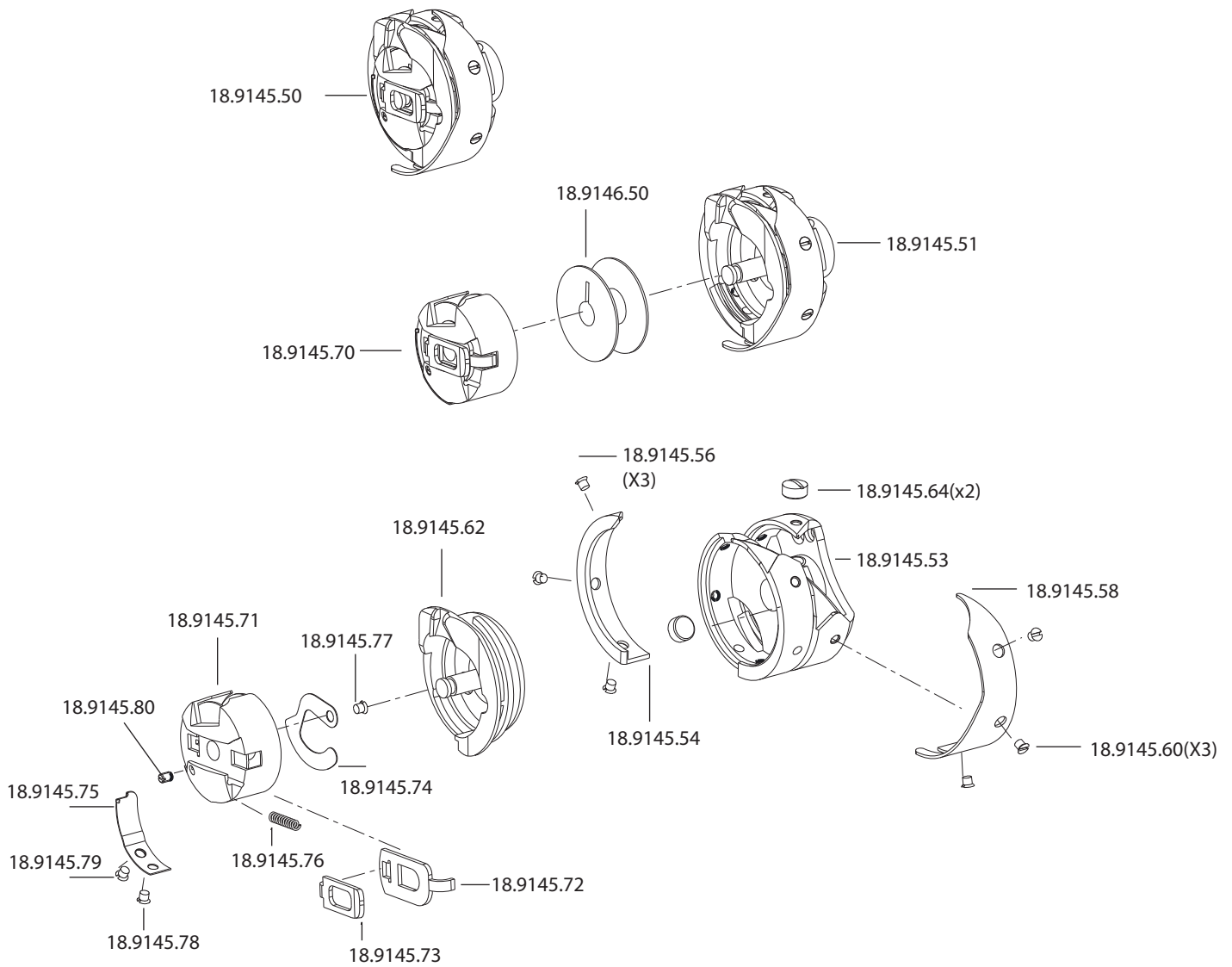


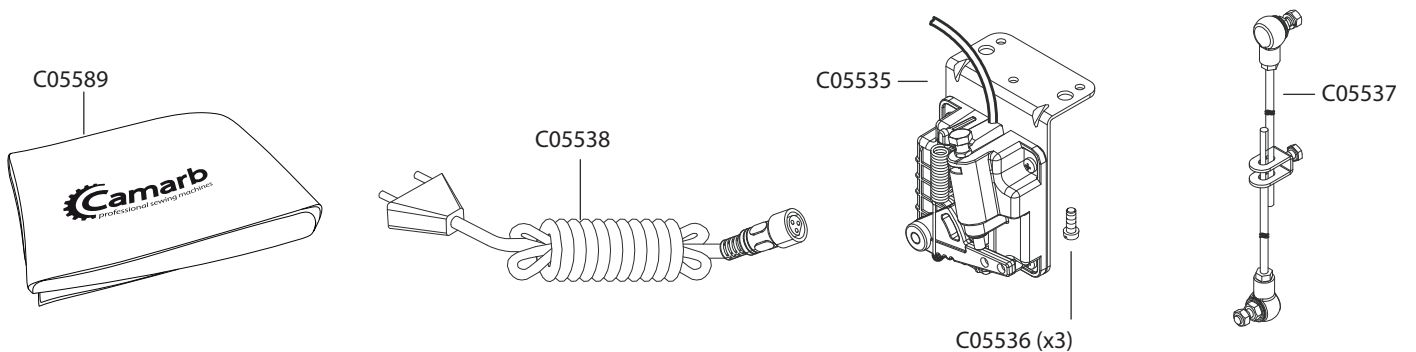
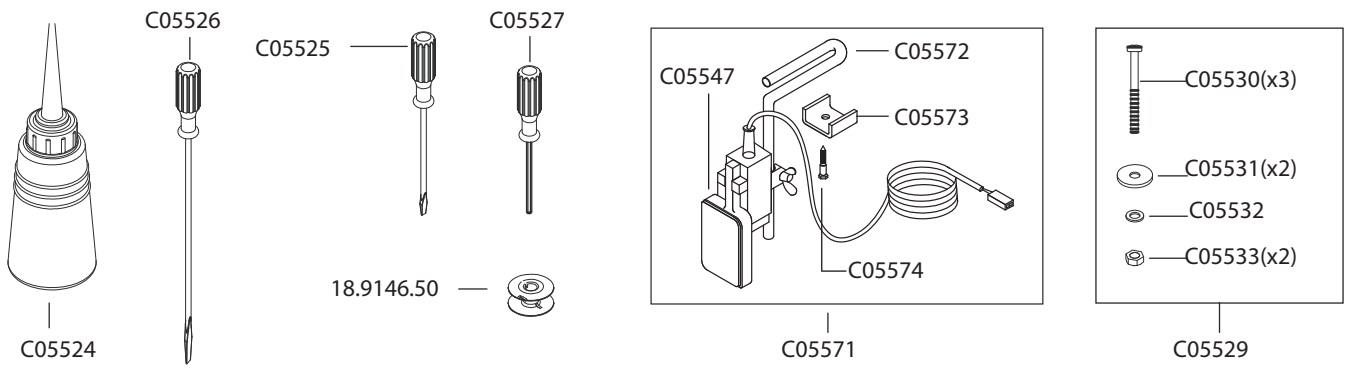
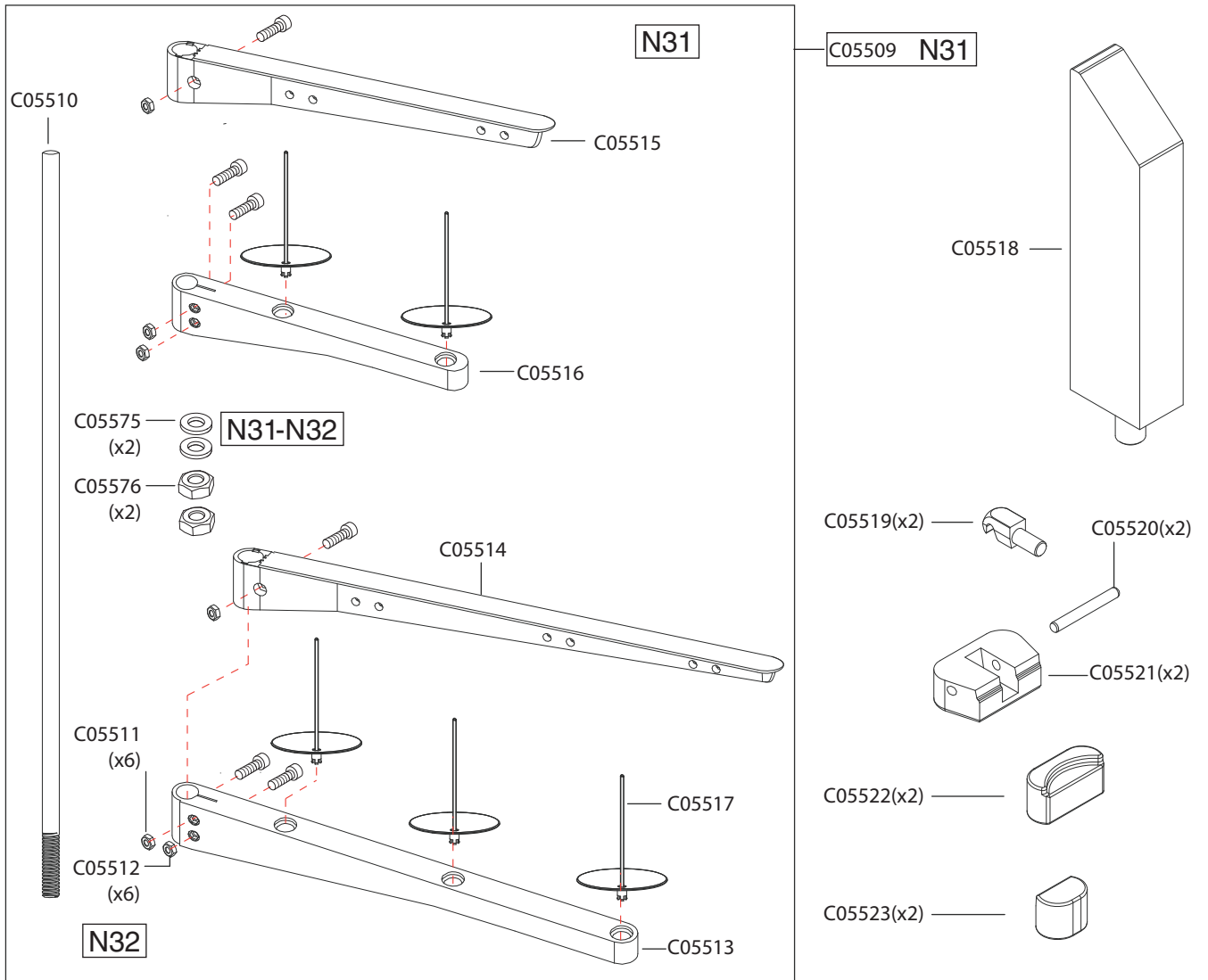


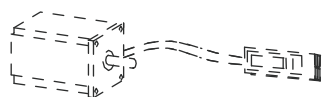
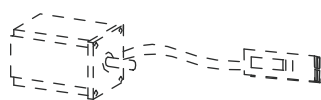
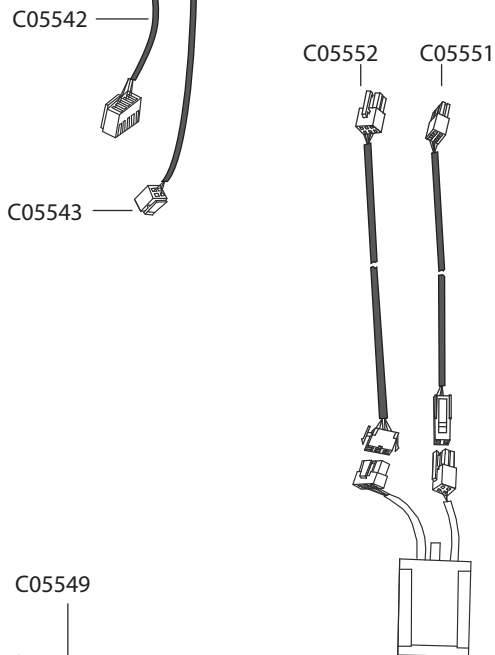
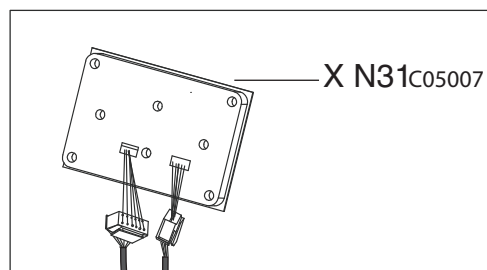
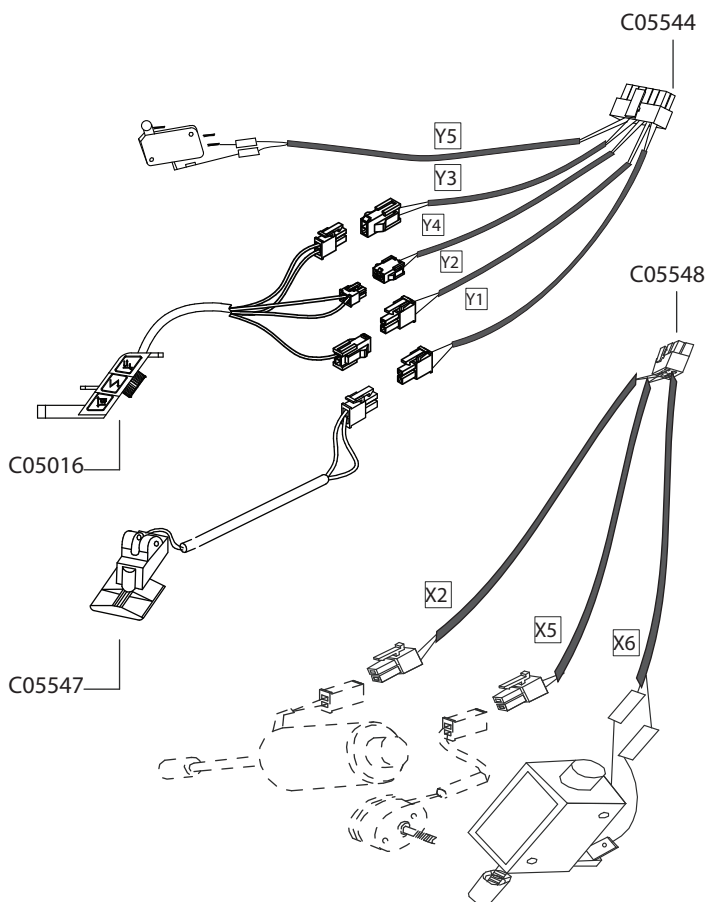
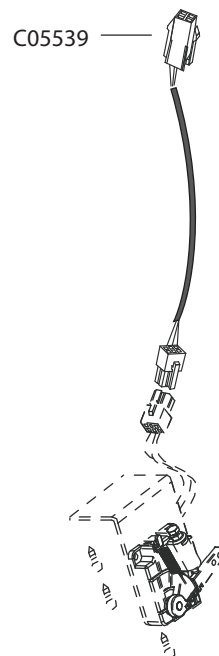
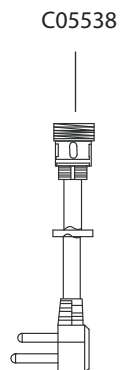
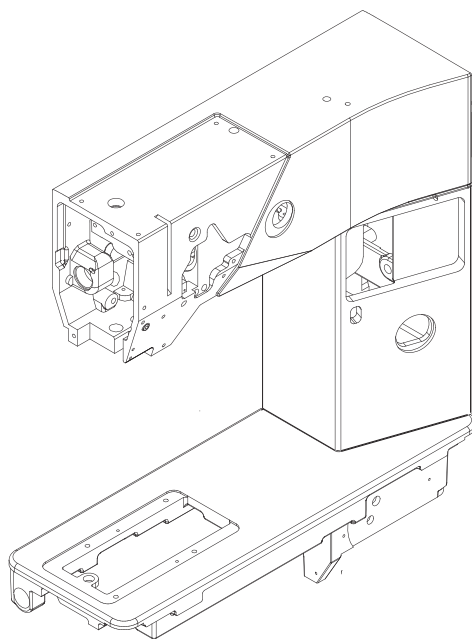








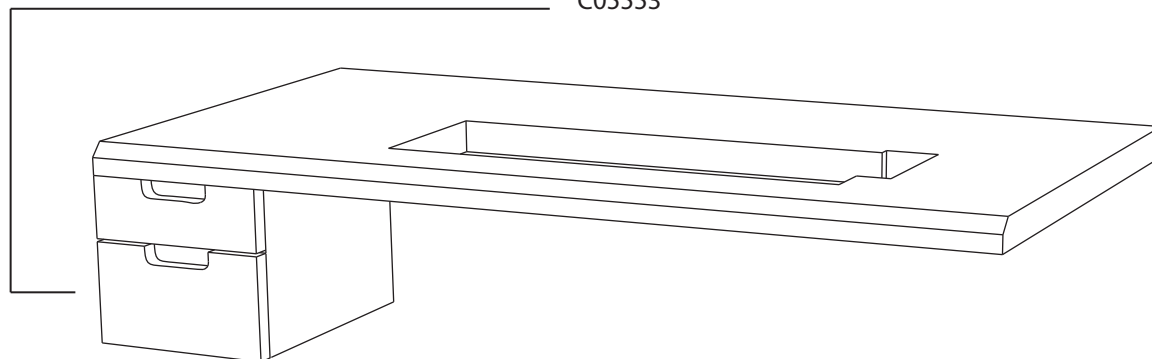




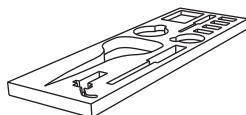
Piano di lavoro con cassetti.

Worktop with drawers.

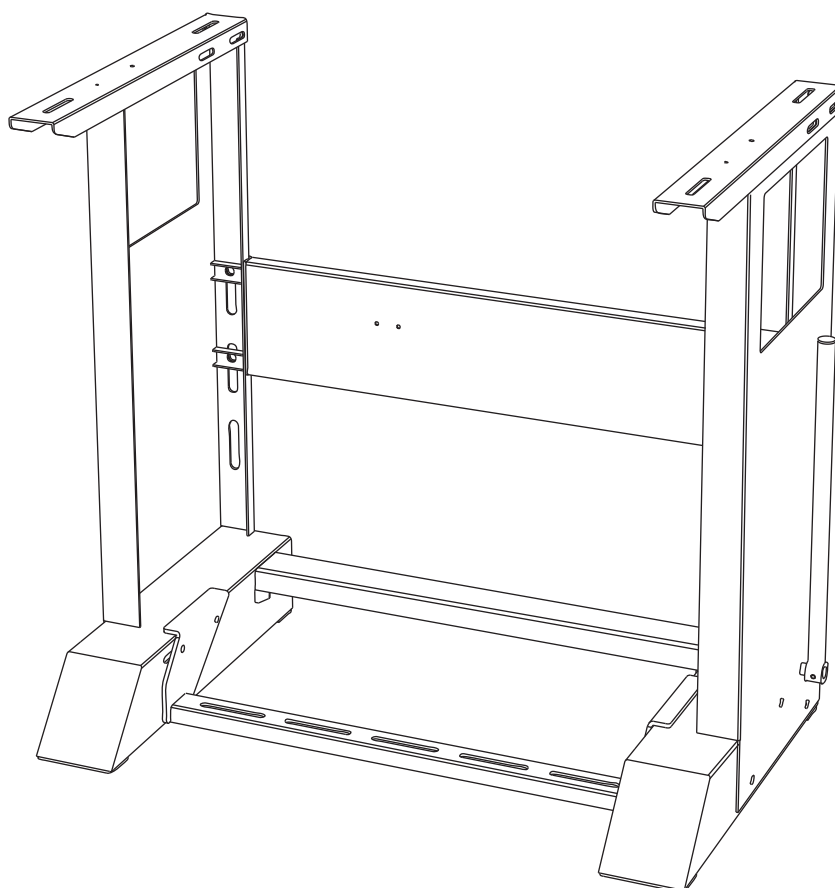
C05553



C05554



Interno cassetto  
Interior for drawer



C05555

Tavolo di supporto con ruote a scomparsa per movimentazione rapida.  
Support table with foldable wheels for moving fast.

A series of horizontal dashed lines spanning the width of the page, providing a template for handwritten notes.

C05004 .....01	C05043 .....02	C05097 .....03	C05143 .....04	C05192 .....05
C05005 .....01	C05044 .....02	C05098 .....03	C05144 .....04	C05193 .....05
C05006 .....01	C05045 .....02	C05099 .....03	C05145 .....04	C05194 .....05
C05007 .....01	C05046 .....02	C05100 .....03	C05146 .....04	C05196 .....05
C05009 .....01	C05047 .....02	C05101 .....03	C05147 .....04	C05197 .....05
C05011 .....01	C05048 .....02	C05102 .....03	C05148 .....04	C05198 .....05
C05012 .....01	C05049 .....02	C05103 .....03	C05149 .....04	C05199 .....05
C05013 .....01	C05050 .....02	C05104 .....03	C05150 .....04	C05200 .....05
C05014 .....01	C05051 .....02	C05105 .....03	C05151 .....04	C05201 .....05
C05015 .....01	C05052 .....02	C05106 .....03	C05152 .....04	C05202 .....05
C05016 .....01	C05053 .....02	C05107 .....03	C05152 .....04	C05204 .....05
C05017 .....01	C05054 .....02	C05108 .....03	C05153 .....04	C05205 .....05
C05018 .....01	C05055 .....02	C05109 .....03	C05154 .....04	C05208 .....05
C05019 .....01	C05058 .....02	C05110 .....03	C05155 .....04	C05209 .....05
C05020 .....01	C05058-G-INT .....02	C05111 .....03	C05156 .....04	C05210 .....05
C05020 .....01	C05059 .....02	C05112 .....03	C05157 .....04	C05211 .....05
C05021 .....01	C05060 .....02	C05113 .....03	C05158 .....04	C05213 .....05
C05022 .....01	C05061 .....02	C05114 .....03	C05159 .....04	C05214 .....05
C05025 .....01	C05063 .....02	C05115 .....03	C05160 .....04	C05215 .....05
C05026 .....01	C05064 .....02	C05116 .....03	C05161 .....04	C05216 .....05
C05027 .....01	C05065 .....02	C05117 .....03	C05162 .....04	C05217 .....05
C05028 .....01	C05066 .....02	C05118 .....03	C05163 .....04	C05218 .....05
C05030 .....01	C05067 .....02	C05119 .....03	C05164 .....04	C05586 .....05
C05031 .....01	C05072 .....02	C05120 .....03	C05165 .....04	C05734 .....05
C05032 .....01	C05077 .....02	C05121 .....03	C05166 .....04	C05769 .....05
C05033 .....01	C05568 .....02	C05121 .....03	C05167 .....04	C05003 .....06
C05034 .....01	C05570 .....02	C05127 .....03	C05168 .....04	C05003 .....06
C05569 .....01	C05760 .....02	C05128 .....03	C05169 .....04	C05089 .....06
C05593 .....01	C05761 .....02	C05133 .....03	C05170 .....04	C05219 .....06
C06183 .....01	C05762 .....02	C05134 .....03	C05171 .....04	C05220 .....06
C05035 .....02	C05762-M .....02	C05135 .....03	C05172 .....04	C05221 .....06
C05036 .....02	C05783 .....02	C05136 .....03	C05173 .....04	C05222 .....06
C05037 .....02	C05090 .....03	C05137 .....03	C05174 .....04	C05223 .....06
C05038 .....02	C05091 .....03	C05562 .....03	C05186 .....04	C05224 .....06
C05039 .....02	C05092 .....03	C05138 .....04	C05187 .....04	C05225 .....06
C05039 .....02	C05093 .....03	C05139 .....04	C05188 .....04	C05226 .....06
C05040 .....02	C05094 .....03	C05140 .....04	C05189 .....05	C05227 .....06
C05041 .....02	C05095 .....03	C05141 .....04	C05190 .....05	C05228 .....06
C05042 .....02	C05096 .....03	C05142 .....04	C05191 .....05	C05229 .....06

C05230 .....06	C05469 .....07	C05431 ..... 12	C05513..... 15	C05548 .....16
C05233 .....06	C05470 .....07	C05432..... 12	C05514..... 15	C05549 .....16
C05234 .....06	C05471 .....07	C05433..... 12	C05515..... 15	C05550 .....16
C05235 .....06	C05588 .....07	C05434..... 12	C05516..... 15	C05551 .....16
C05236 .....06	C05434 .....08	C05435..... 12	C05517..... 15	C05552 .....16
C05237 .....06	C05440 .....08	C05436..... 12	C05518..... 15	C05554 .....16
C05238 .....06	C05443 .....08	C05437 ..... 12	C05519..... 15	C06317 .....16
C05239 .....06	C05444 .....08	C05438..... 12	C05520..... 15	C06318 .....16
C05240 .....06	C05445 .....08	C05498..... 12	C05521..... 15	C05007 .....17
C05241 .....06	C05447 ..... 11	C05499..... 12	C05522..... 15	C05016 .....17
C05771 .....06	C05471 ..... 11	C05500..... 12	C05523..... 15	01.3005.08.....02
C05772 .....06	C05472 ..... 11	C05501 ..... 12	C05525..... 15	01.3005.12.....02
C05242 .....07	C05473 ..... 11	C05502..... 12	C05526..... 15	013005.12.....02
C05243 .....07	C05474 ..... 11	C05503..... 12	C05527..... 15	01.3005.08.....08
C05244 .....07	C05475 ..... 11	C05504..... 12	C05529..... 15	01.3003.08.....10
C05245 .....07	C05476 ..... 11	C05505..... 12	C05530..... 15	01.3005.10.....08
C05246 .....07	C05477 ..... 11	C05506..... 12	C05531..... 15	01.3005.10.....08
C05247 .....07	C05478 ..... 11	C05507 ..... 12	C05532..... 15	01.3005.10.....08
C05248 .....07	C05479 ..... 11	C05508..... 12	C05533..... 15	01.3005.10.....08
C05249 .....07	C05480 ..... 11	C05581 ..... 12	C05535..... 15	01.3006.15.....02
C05250 .....07	C05481 ..... 11	C05751 ..... 12	C05536..... 15	01.3005.12.....08
C05251 .....07	C05482 ..... 11	C05752 ..... 12	C05537..... 15	01.3005.10.....10
C05252 .....07	C05483 ..... 11	C05753 ..... 12	C05538..... 15	01.3004.12.....10
C05253 .....07	C05484 ..... 11	C05754 ..... 12	C05547..... 15	01.3005.20.....02
C05254 .....07	C05485 ..... 11	C05755 ..... 12	C05571..... 15	01.3004.12.....11
C05255 .....07	C05486 ..... 11	C05446..... 13	C05572..... 15	01.3005.15.....08
C05356 .....07	C05487 ..... 11	C05058..... 14	C05573..... 15	01.3005.15.....11
C05357 .....07	C05488 ..... 11	C05058-G-INT..... 14	C05574..... 15	01.3005.15.....11
C05358 .....07	C05489 ..... 11	C05760 ..... 14	C05575..... 15	01.3006.20.....08
C05359 .....07	C05490 ..... 11	C05761 ..... 14	C05576..... 15	01.3006.20.....08
C05360 .....07	C05491 ..... 11	C05762 ..... 14	C05589..... 15	01.3008.20.....08
C05361 .....07	C05492 ..... 11	C05762-M ..... 14	C05007..... 16	01.3006.25.....08
C05362 .....07	C05494 ..... 11	C05783..... 14	C05016..... 16	01.3005.30.....08
C05363 .....07	C05546 ..... 11	C05058..... 15	C05538..... 16	01.3008.30.....08
C05464 .....07	C05591 ..... 11	C05058-G-INT..... 15	C05539..... 16	01.3325.04.....10
C05465 .....07	C05756 ..... 11	C05509..... 15	C05542..... 16	01.3325.06.....11
C05466 .....07	C05758 ..... 11	C05510..... 15	C05543..... 16	01.3325.06.....11
C05467 .....07	C05430 ..... 12	C05511 ..... 15	C05544..... 16	01.3805.06.....02
C05468 .....07		C05512..... 15	C05547..... 16	01.3805.06.....02

01.3804.04.....08	05.9087.00 ..... 08	20.9260.10 ..... 02	20.9335.11 ..... 10
01.3803.03.....10	05.9089.00 ..... 10	20.9262.00 ..... 10	20.9340.06 ..... 10
01.3805.05.....08	07.9062.00 ..... 02	20.9263.10 ..... 02	20.9320.31 ..... 11
01.3805.05.....08	07.9062.00 ..... 02	20.9264.10 ..... 02	20.9263.90 ..... 10
01.3804.04.....10	07.9062.00 ..... 10	20.9266.10 ..... 02	20.9321.31 ..... 11
01.3806.06.....08	07.9062.00 ..... 10	20.9269.10 ..... 02	20.9263.91 ..... 10
01.3806.06.....08	10.9081.11 ..... 11	20.9263.10 ..... 10	20.9325.31 ..... 11
01.3806.06.....08	18.9145.50 ..... 11	20.9265.22 ..... 02	20.9356.07 ..... 10
01.3803.06.....11	18.9145.50 ..... 14	20.9290.02 ..... 08	20.9337.30 ..... 10
01.3835.05.....10	18.9146.50 ..... 14	20.9291.02 ..... 08	20.9361.12 ..... 08
01.3835.05.....10	18.9145.51 ..... 14	20.9293.06 ..... 08	20.9323.92 ..... 11
01.3835.05.....10	18.9145.53 ..... 14	20.9294.06 ..... 08	20.9451.65 ..... 10
01.3835.05.....10	18.9145.54 ..... 14	20.9302.00 ..... 08	
01.3835.05.....10	18.9145.56 ..... 14	20.9292.10 ..... 08	
01.3903.06.....11	18.9145.58 ..... 14	20.9303.00 ..... 08	
01.3904.08.....11	18.9145.60 ..... 14	20.9304.00 ..... 08	
01.3905.16.....11	18.9145.62 ..... 14	20.9295.10 ..... 08	
01.9305.06.....08	18.9145.64 ..... 14	20.9306.00 ..... 08	
03.0345.00.....08	18.9145.70 ..... 14	20.9301.06 ..... 08	
05.0135.00.....08	18.9145.71 ..... 14	20.9297.10 ..... 08	
05.0421.00.....08	18.9145.72 ..... 14	20.9308.00 ..... 08	
05.0448.60.....08	18.9145.73 ..... 14	20.9307.10 ..... 08	
05.1174.00.....08	18.9145.75 ..... 14	20.9326.10 ..... 08	
05.1294.12.....02	18.9145.76 ..... 14	20.9322.11 ..... 11	
05.1726.00.....08	18.9145.77 ..... 14	20.9334.01 ..... 10	
05.1741.00.....02	18.9145.78 ..... 14	20.9323.11 ..... 11	
05.1741.00.....02	18.9145.79 ..... 14	20.9324.11 ..... 11	
05.1741.00.....02	18.9145.80 ..... 14	20.9265.80 ..... 02	
05.1741.00.....10	20.9067.10 ..... 02	20.9339.00 ..... 10	
05.1741.00.....10	20.9161.00 ..... 02	20.9329.10 ..... 11	
05.1831.00.....10	20.9161.10 ..... 02	20.9342.00 ..... 10	
05.1831.00.....10	20.9151.40 ..... 08	20.9331.10 ..... 11	
05.1831.00.....11	20.9151.46 ..... 08	20.9330.11 ..... 11	
05.1838.00.....11	20.9151.50 ..... 08	20.9343.00 ..... 10	
05.2260.00.....08	20.9151.60 ..... 08	20.9331.11 ..... 11	
05.9059.00.....08	20.9262.00 ..... 02	20.9334.10 ..... 10	
05.9060.00.....08	20.9268.00 ..... 02	20.9331.12 ..... 11	
05.9057.10.....11	20.9261.00 ..... 10	20.9263.90 ..... 02	
05.9089.00.....02	20.9261.00 ..... 10	20.9336.10 ..... 10	

# CATALOGO RICAMBI

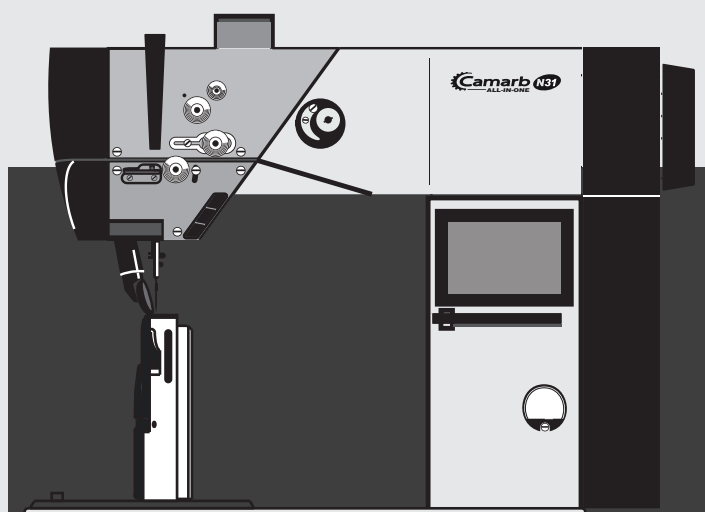
SPARE PARTS LIST

LISTE DES PIE'CES

CATALOG PIESE DE SCHIMB

N31-ALL-IN-ONE-E

C997-CP-RC-V2



Vers.12-2022

 **BRAMAC**<sup>®</sup> S.r.l.  
MACCHINE PER L'INDUSTRIA DELLA CALZATURA

Via Alpi, 149-151-153  
Zona Ind. Villa Luciani  
63812 Montegranaro (FM) Italy  
Phone: +39.0734.890103 - 890912

[www.bramac.it](http://www.bramac.it)  
[bramac@bramac.it](mailto:bramac@bramac.it)